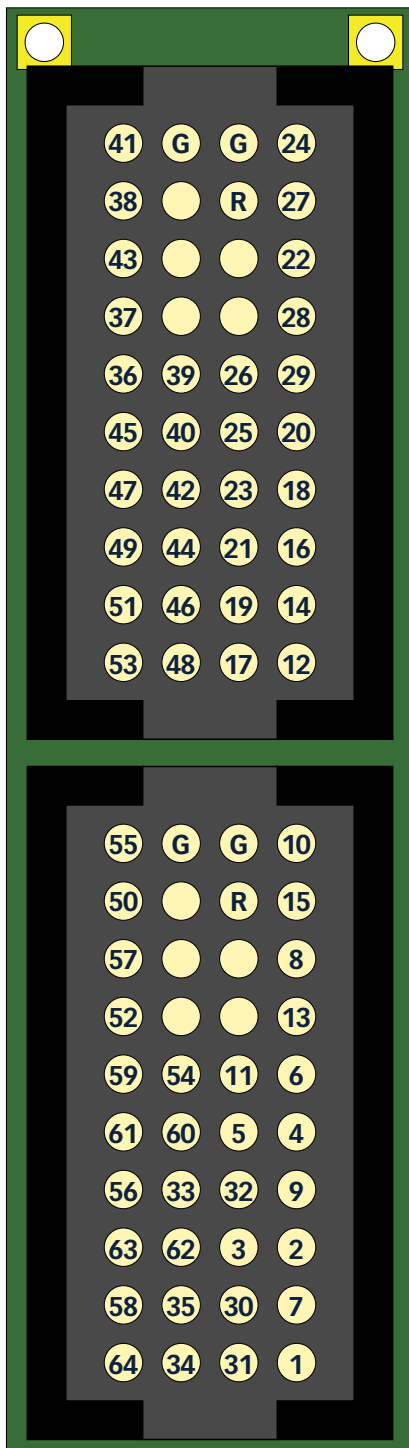


## A64 Connector

p.1



**G = Ground**  
**R = Probe Reference**

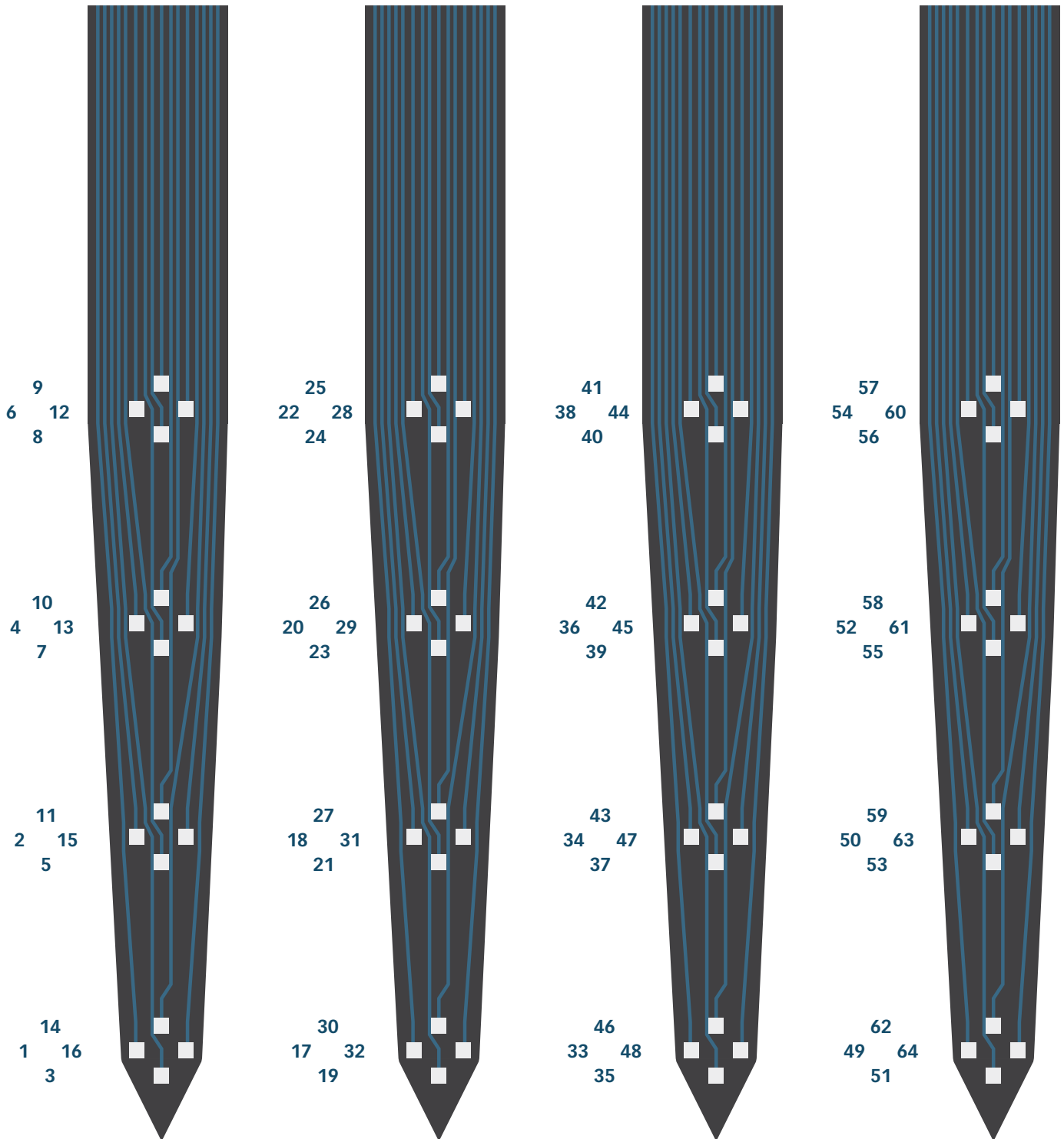
### SPECIFICATIONS

Connector	(2x) SAMTEC MOLC-110-01-S-Q
Mating Connector	(2x) SAMTEC FOLC-140-01-S-Q



A4x4-tet

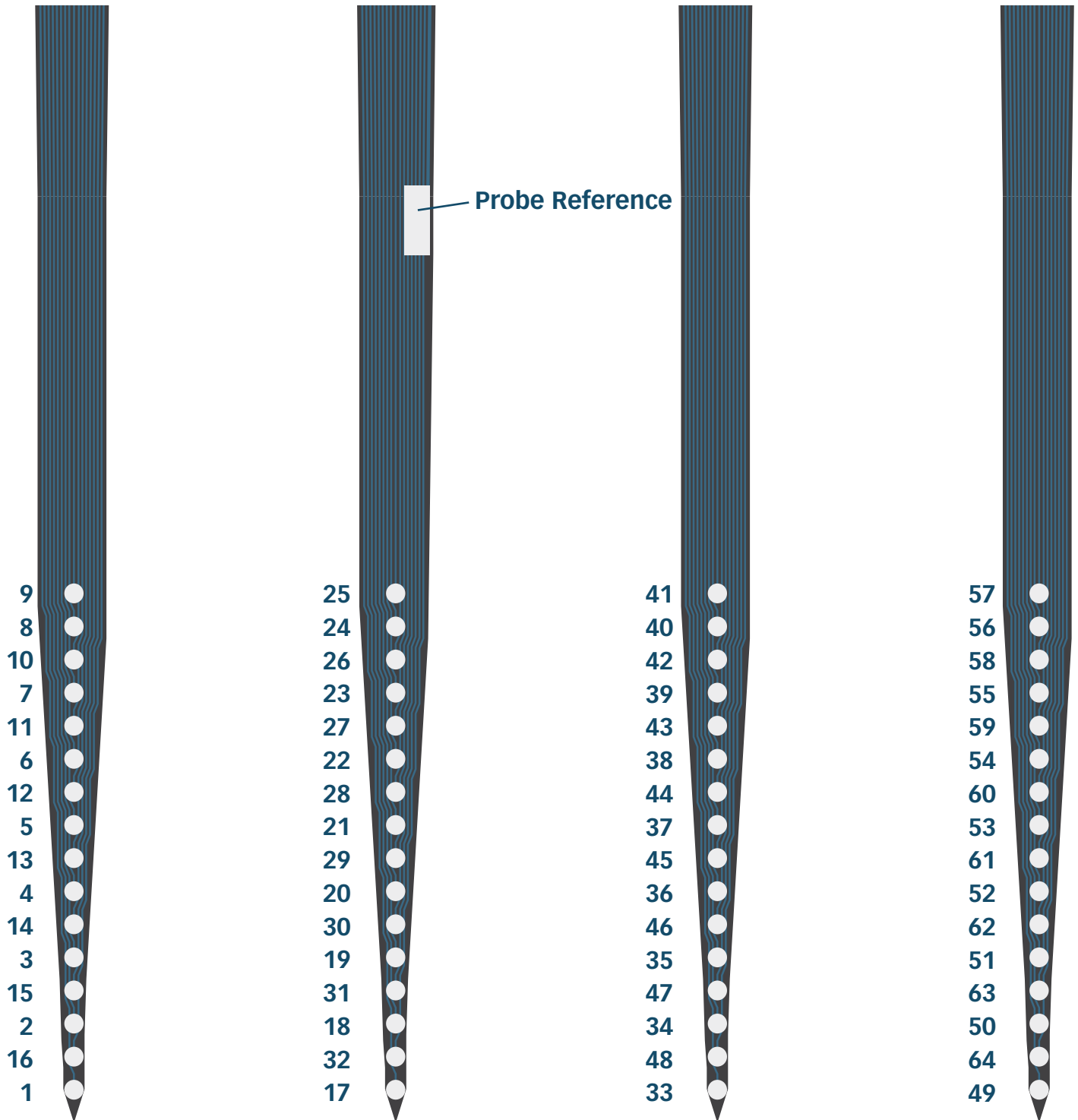
p.2





A4x16

p.3

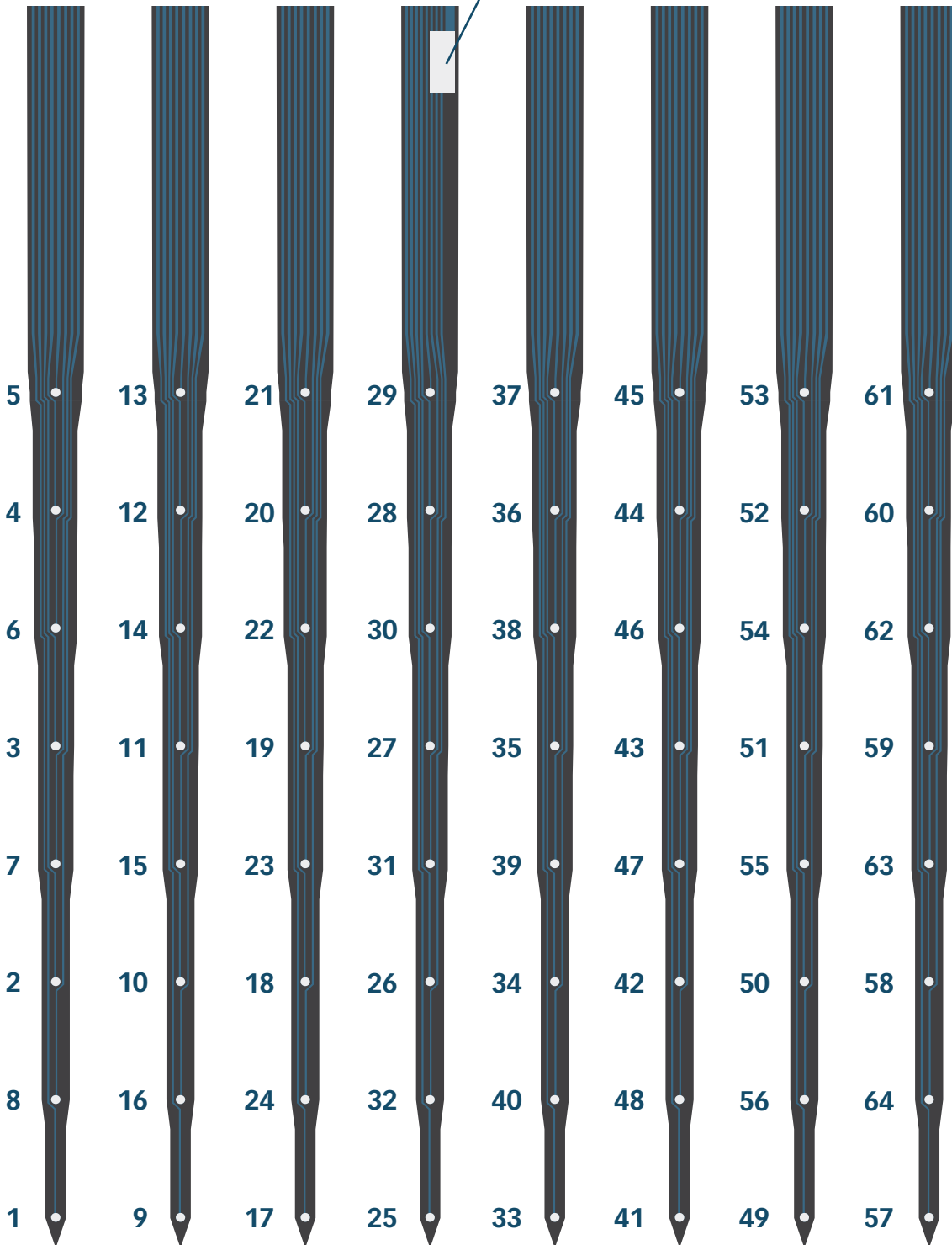




A8x8

Probe Reference

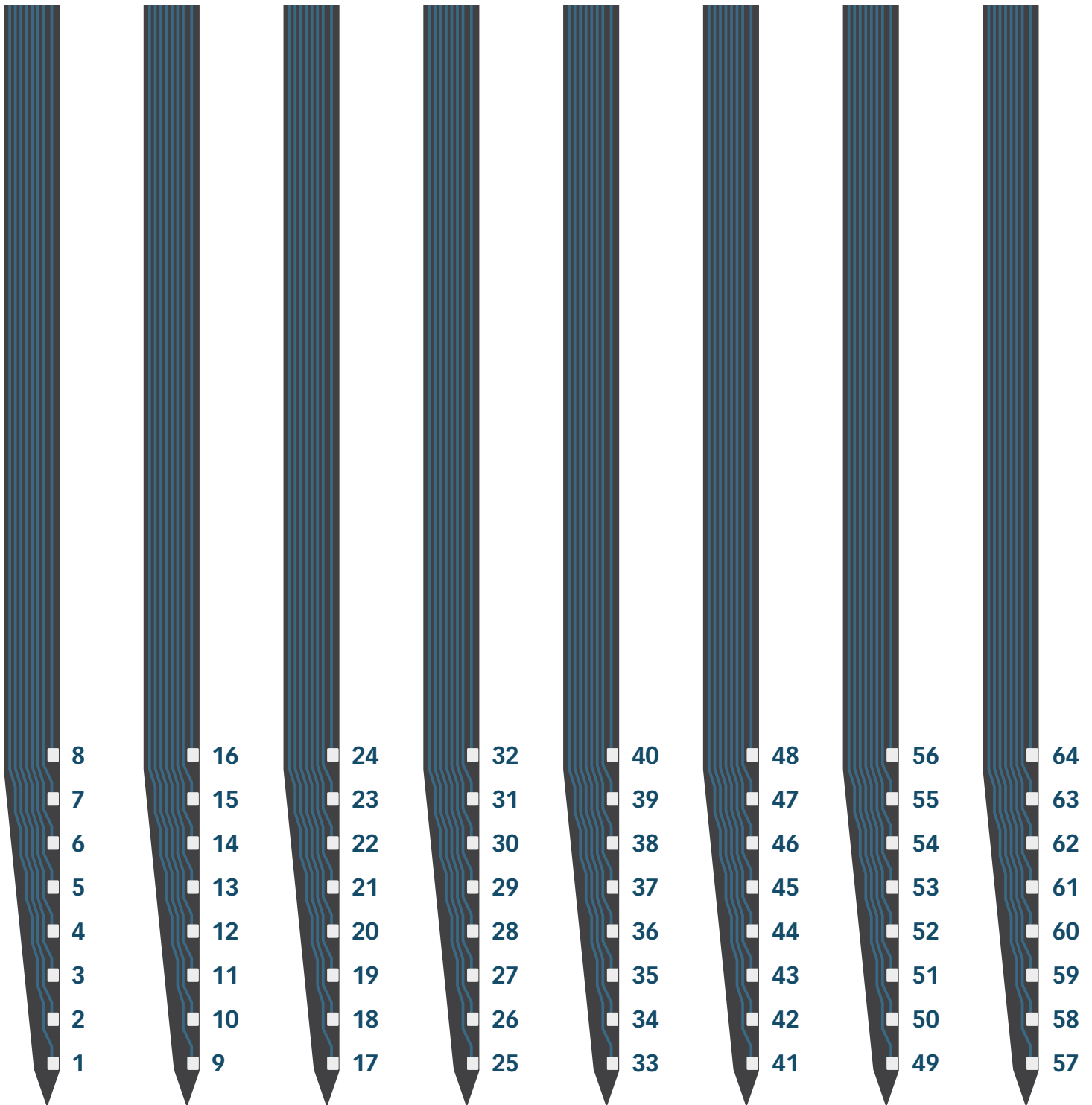
p.4





## A8x8-Edge

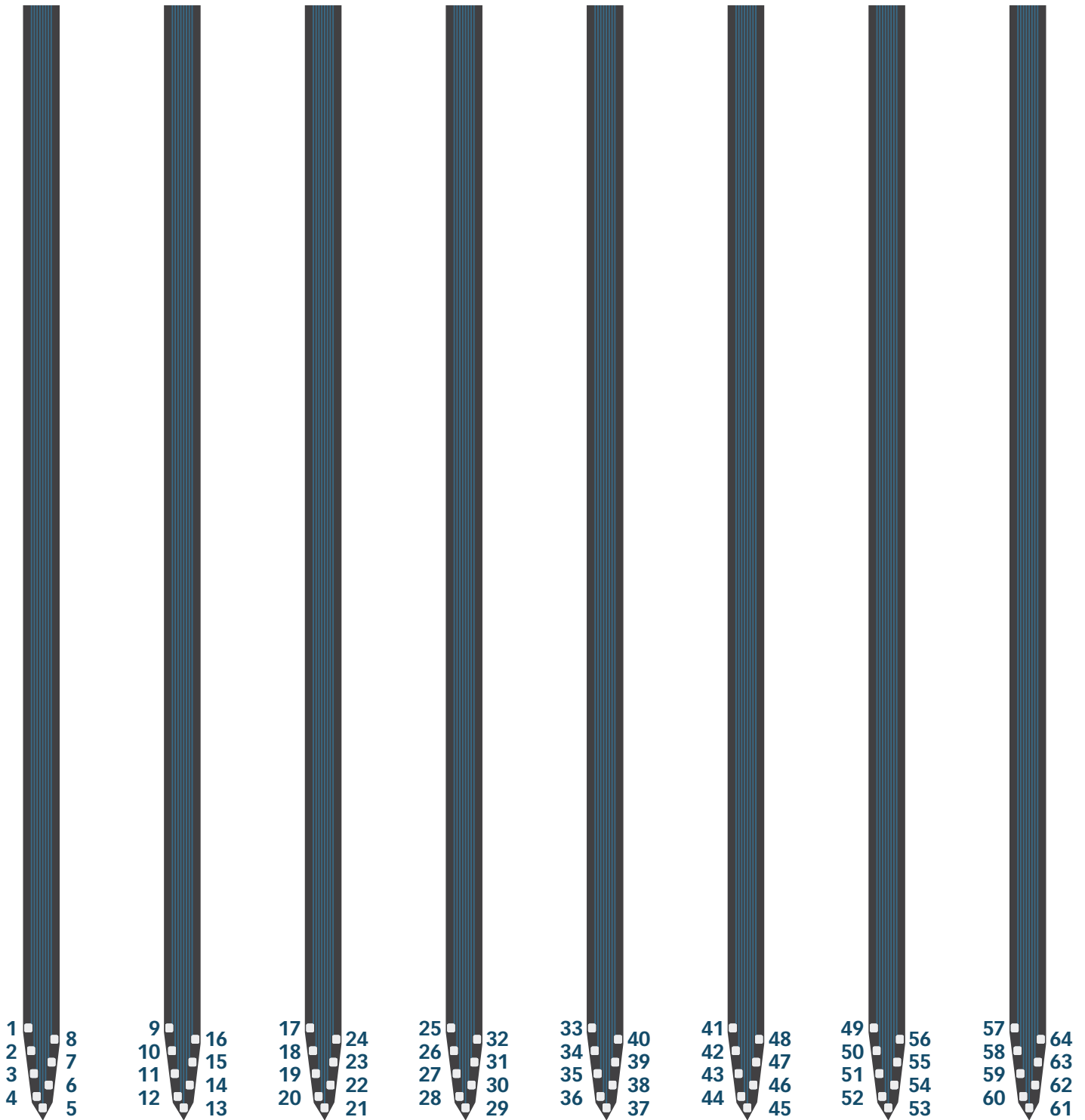
p.5





## Buzsaki64 / Buzsaki64L

p.6





## Buzsaki64sp / Buzsaki64spL

p.7

