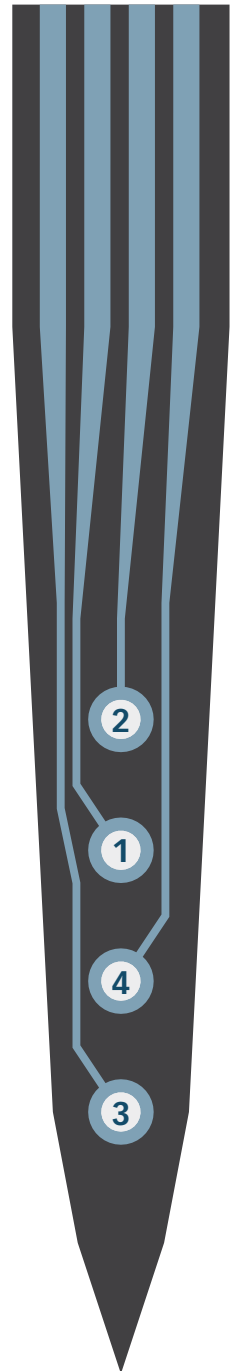




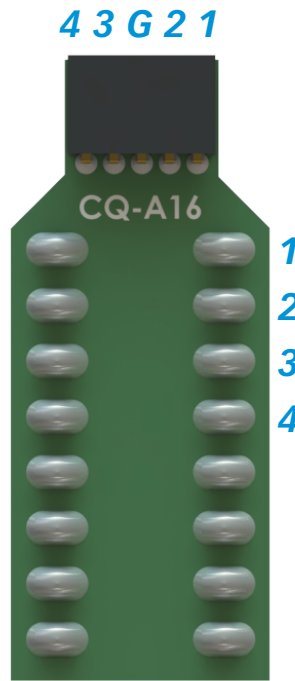
Qtrode - tetraode



Qtrode - linear

CQ4 Pin Out**HQ4 Pin Out**

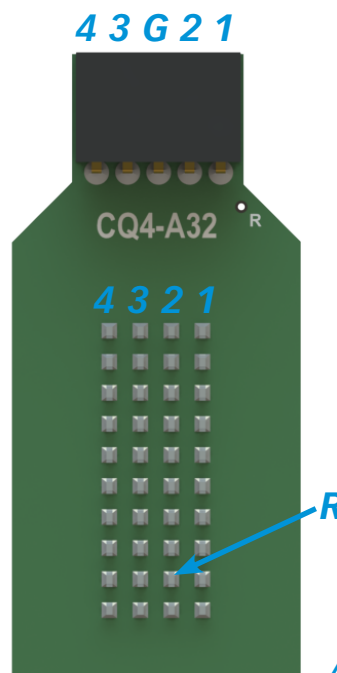
A16 Adaptor



NOTE: This map may not correspond directly to the CQ4 or HQ4 map. The adaptor map only describes the channel routing within the adaptor.

All unused pins: Ground

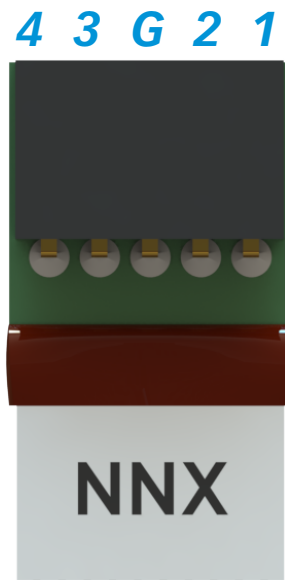
A32 Adaptor



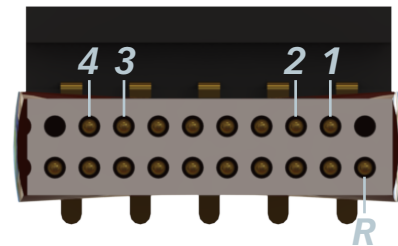
NOTE: This map may not correspond directly to the CQ4 or HQ4 map. The adaptor map only describes the channel routing within the adaptor.

All unused pins: Ground

OM16 Adaptor

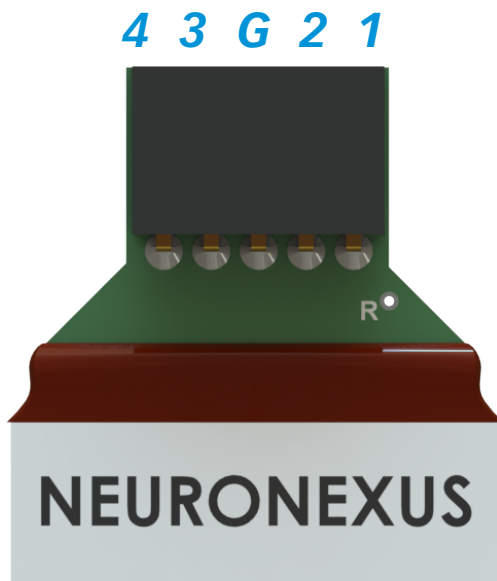


NOTE: This map may not correspond directly to the CQ4 or HQ4 map. The adaptor map only describes the channel routing within the adaptor.

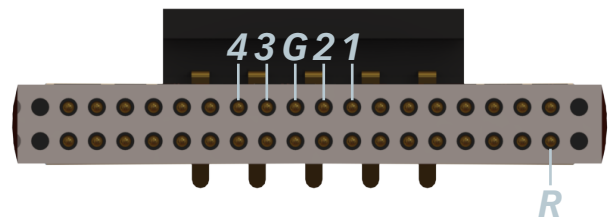


All unused pins: Ground

OM32 Adaptor

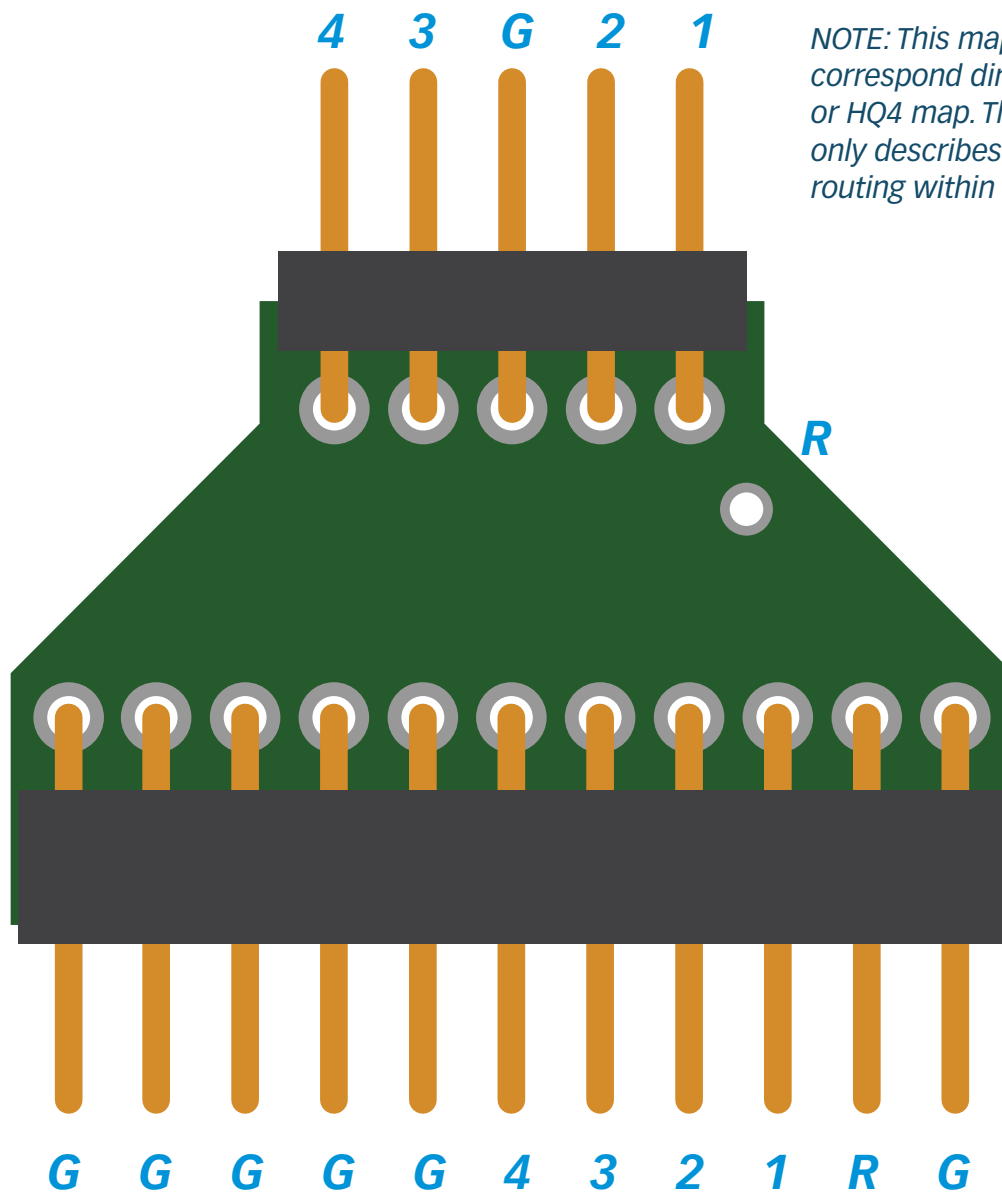


NOTE: This map may not correspond directly to the CQ4 or HQ4 map. The adaptor map only describes the channel routing within the adaptor.

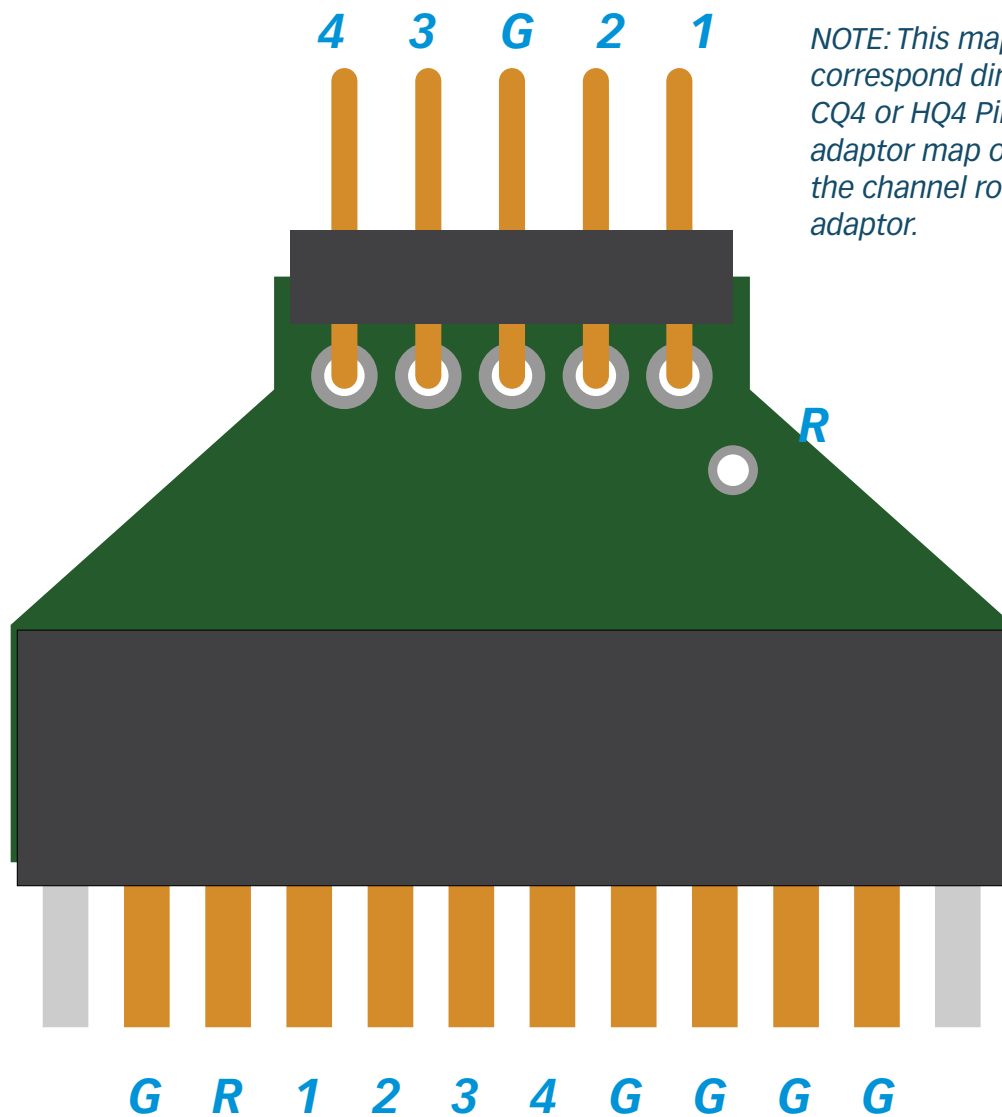


All unused pins: Ground

Adpt.CQ4-MilMax

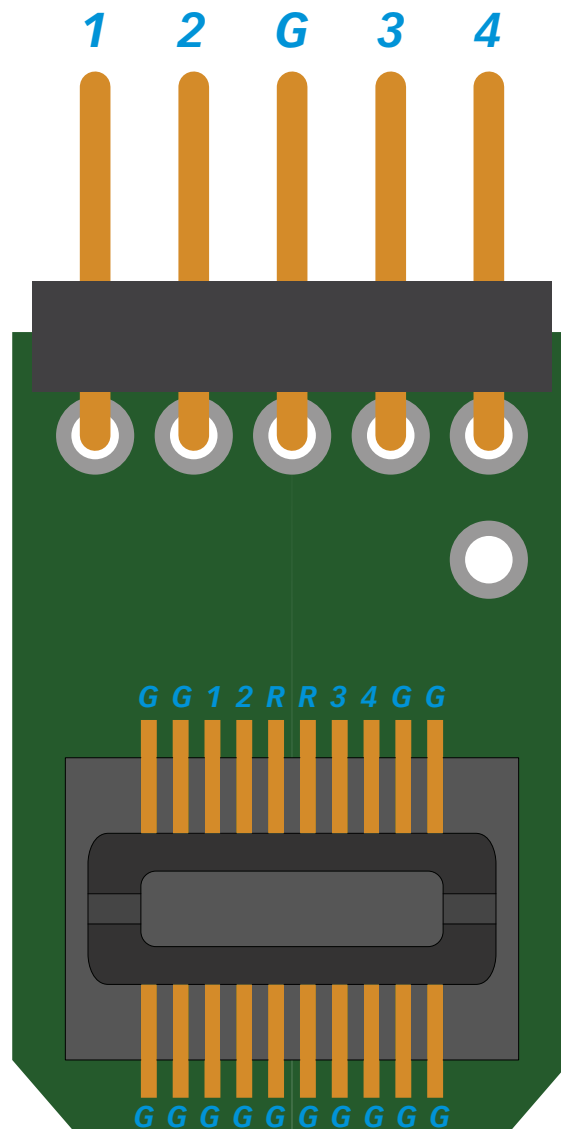


NOTE: This map may not correspond directly to the CQ4 or HQ4 map. The adaptor map only describes the channel routing within the adaptor.

Adpt.CQ4-OM8

NOTE: This map may not correspond directly to the CQ4 or HQ4 Pin Out maps. The adaptor map only describes the channel routing within the adaptor.

Adpt.CQ4-Z16/32



NOTE: This map may not correspond directly to the CQ4 or HQ4 Pin Out maps. The adaptor map only describes the channel routing within the adaptor.