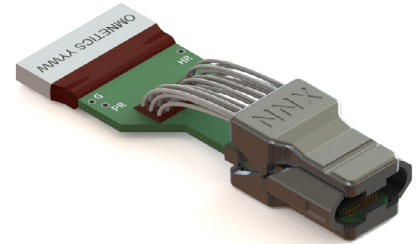
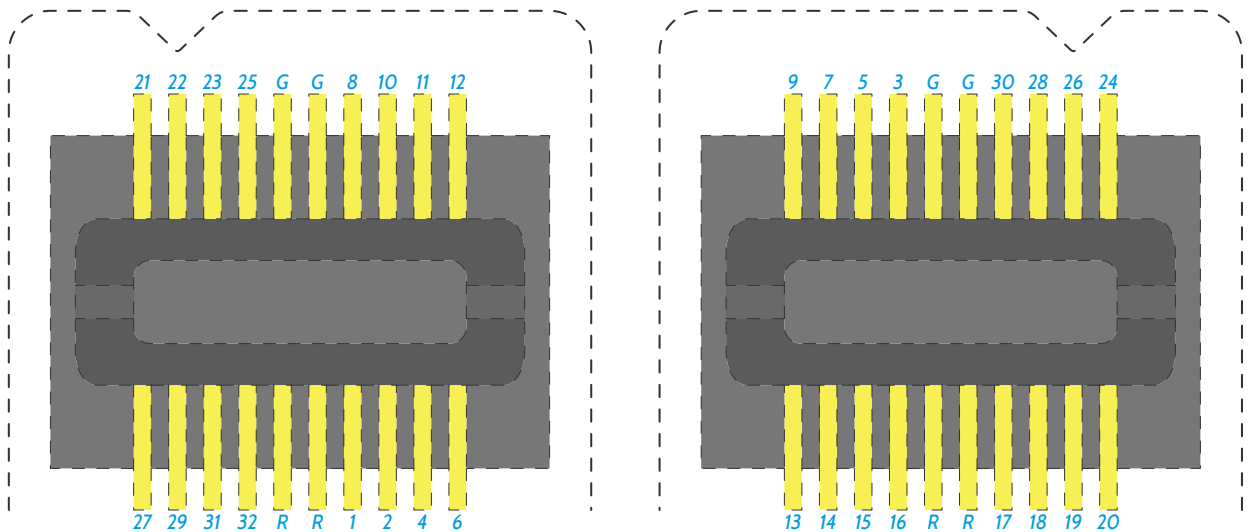


### Adpt-Z32-OM32 Adaptor Map

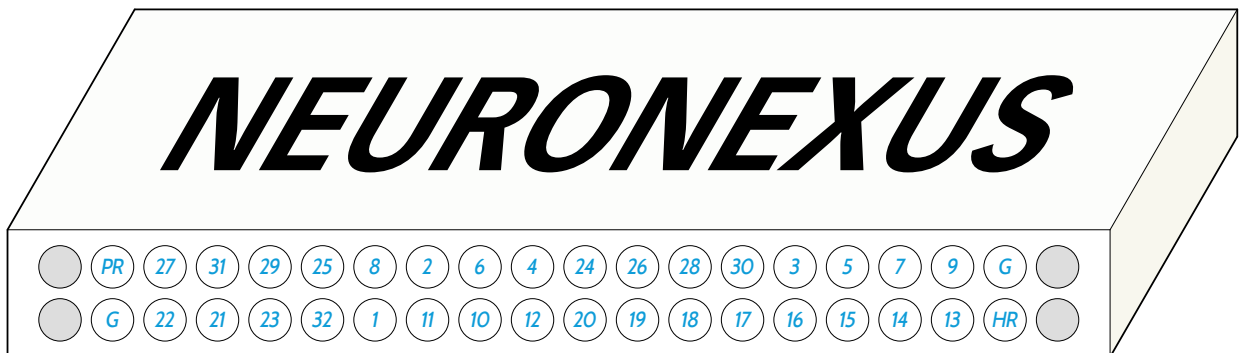
NOTE: This diagram shows the channel mapping within the adaptor itself, and is not a map of the final pin-out.



Zif Clip®  
Connector  
(Looking  
through clip)



OM32  
Connector



G = Ground  
R = Reference