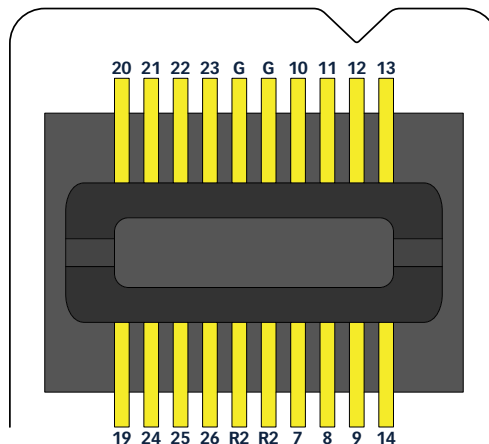
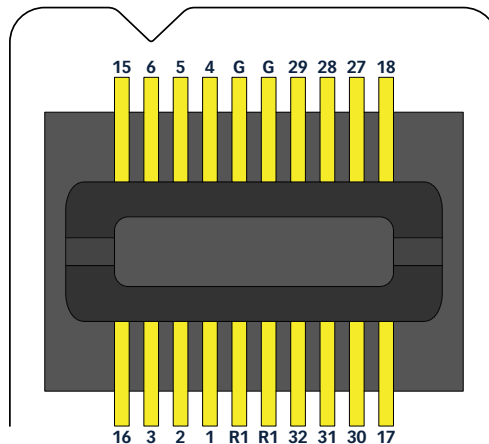


This wiring guide will help you:

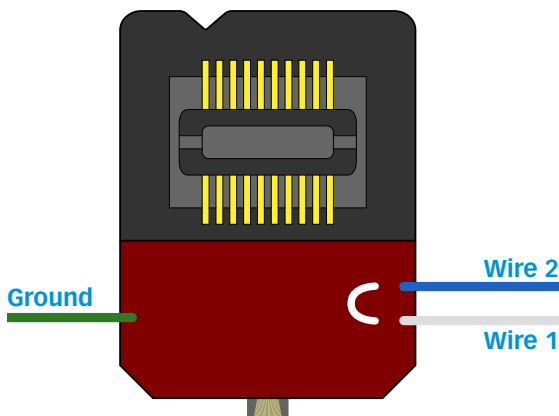
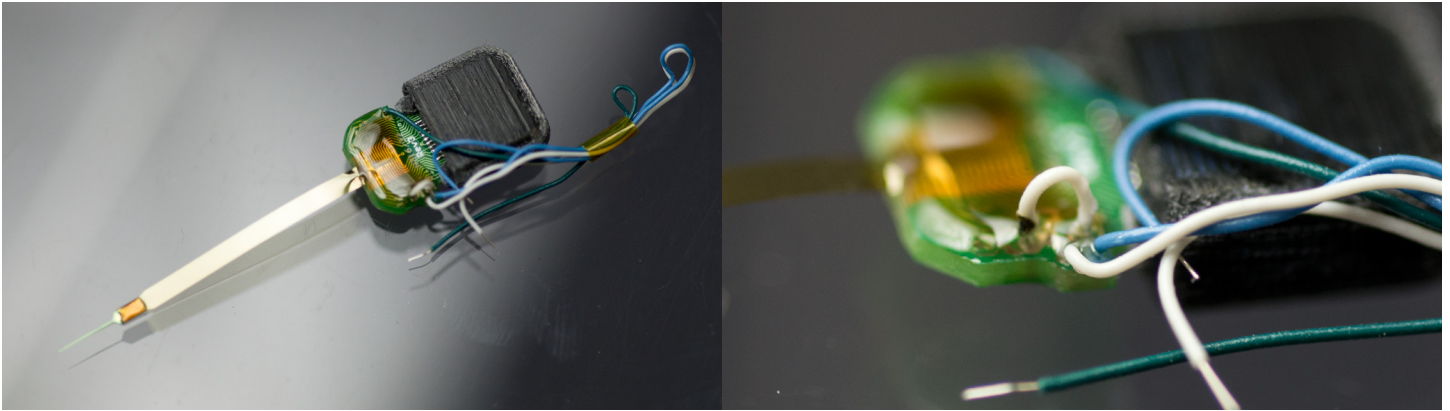
1. Identify the exact probe package you are using, and
2. Help you understand and configure the reference channel wiring specific to your package

The HZ32 Pin Out diagram below applies for all wiring configurations. You will need to turn back to this page to check the reference channel locations.

NOTE: HZ32 ECoG probes utilize a different pin out map, but the reference pin out locations and configurations are the same.



Reference Channel Configuration (Gen. 4)



The HZ32 Gen. 4 package has 1 insulated wire loop jumper (see above) and 3 colored insulated wires. The Ground wire is green. **Please read fully before making your desired changes - it may not be possible to reconnect the wire loops once they have been cut.**

NeuroNexus recommends taking one of the following reference configuration options. **You must choose one option (see below) and act accordingly or a ground loop may form.**

If your probe has a Probe Reference site, and you want to use it, follow these instructions:

1. **Cut** Wire 1 (white)
2. Channel R1 serves as the Probe Reference. Wire 2 (blue) connects an external reference to Channel R2; if you do not want to use an external reference, cut Wire 2.

To use only 1 external reference source, follow these instructions:

1. **Cut** the Wire Reference Jumper
2. Tie Wire 1 and Wire 2 together. Channels R1 and R2 both serve as the external reference.

To use 2 external reference sources, follow these instructions:

1. **Cut** the Wire Reference Jumper
2. Channels R1 and R2 serve as independent external references. Wire 1 (white) feeds into Channel R1, and Wire 2 (blue) feeds into Channel R2.