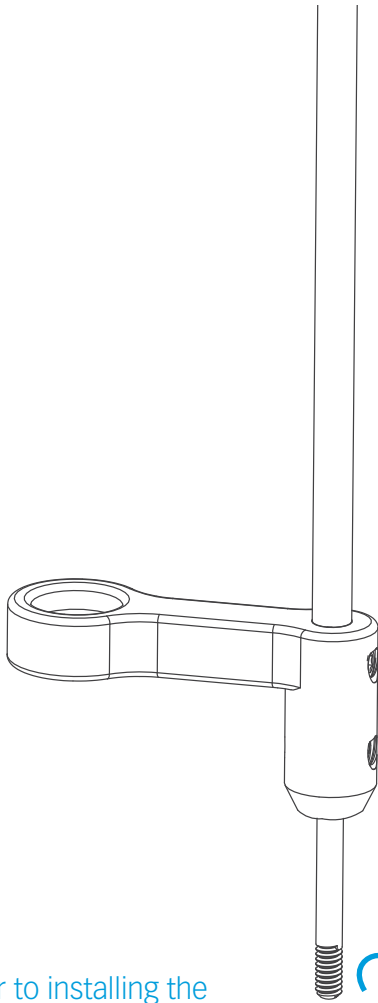


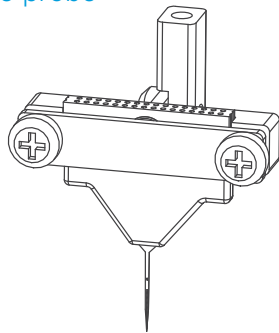
IST-Motor Setup Instructions

Updated December 5, 2014

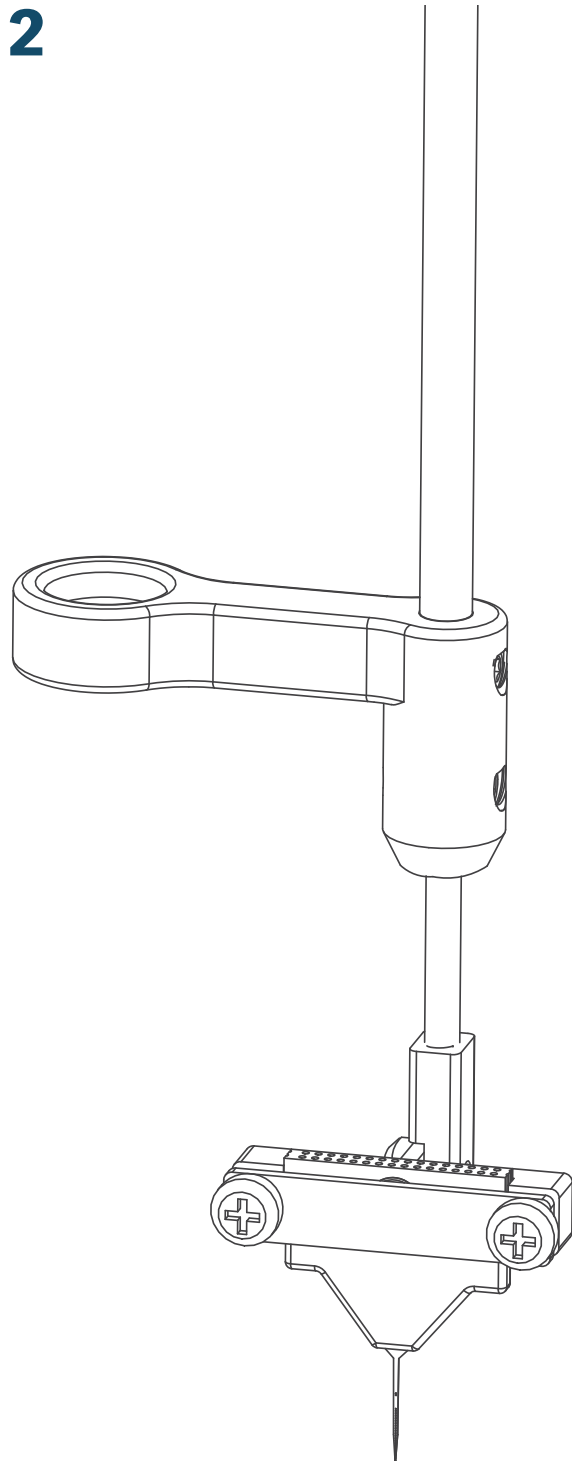
1



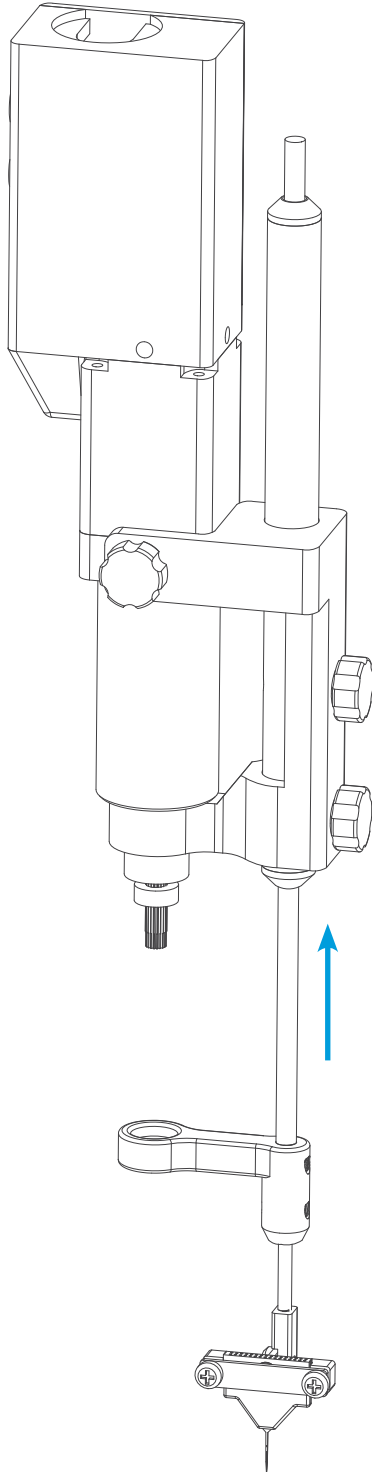
Prior to installing the
IST-Motor, connect the
headstage to the probe



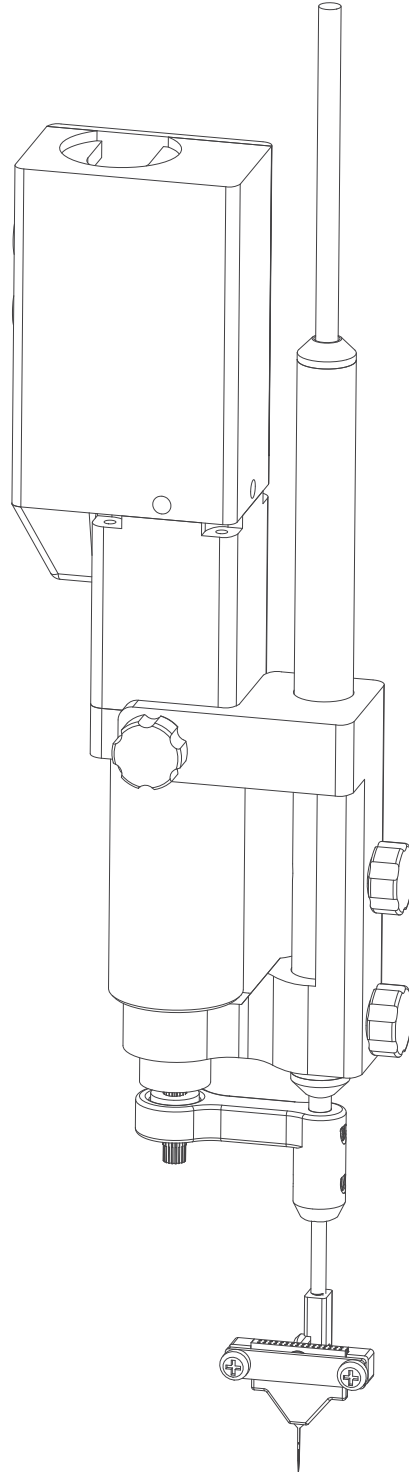
2



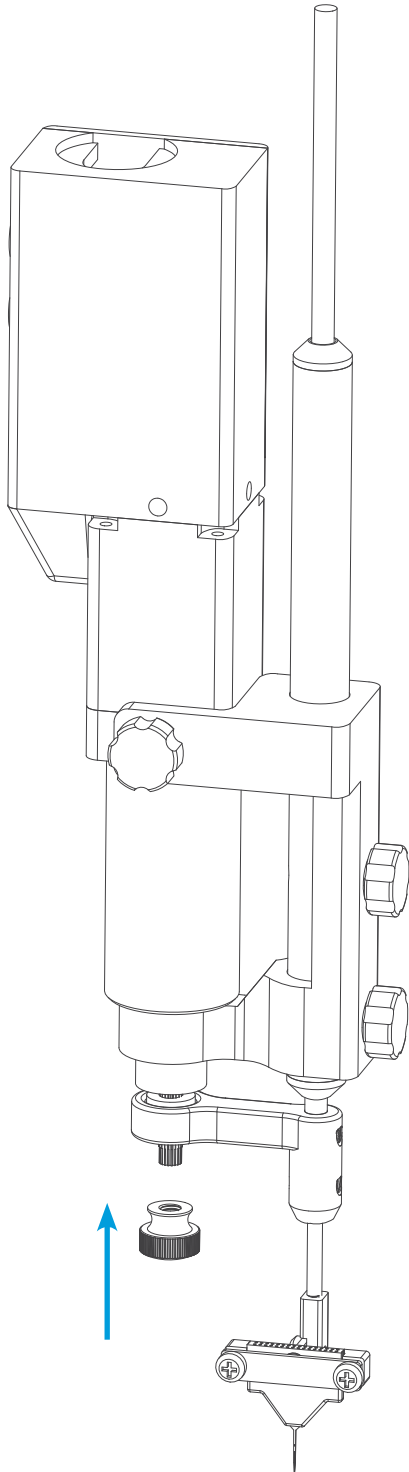
3



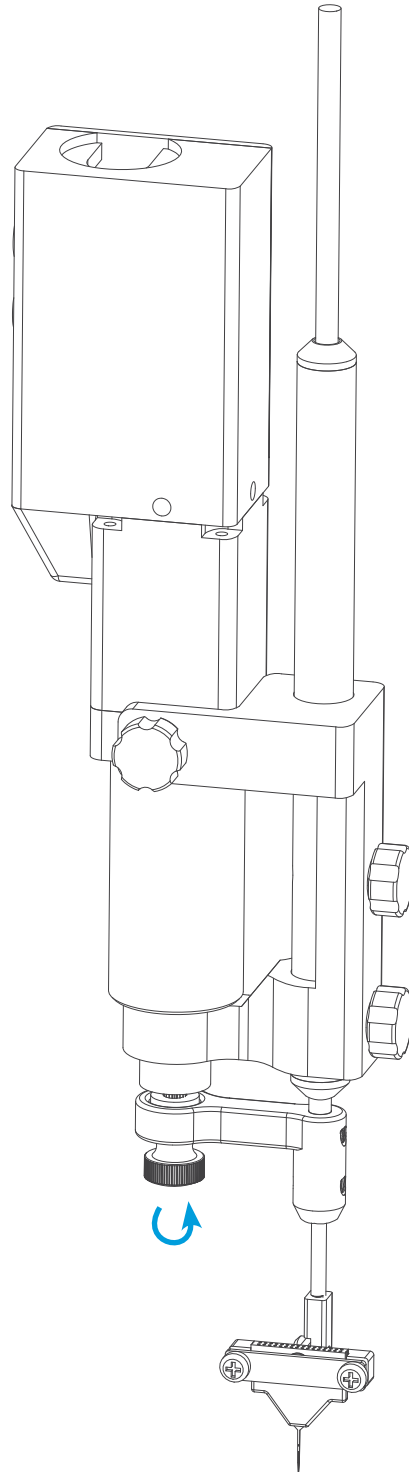
4



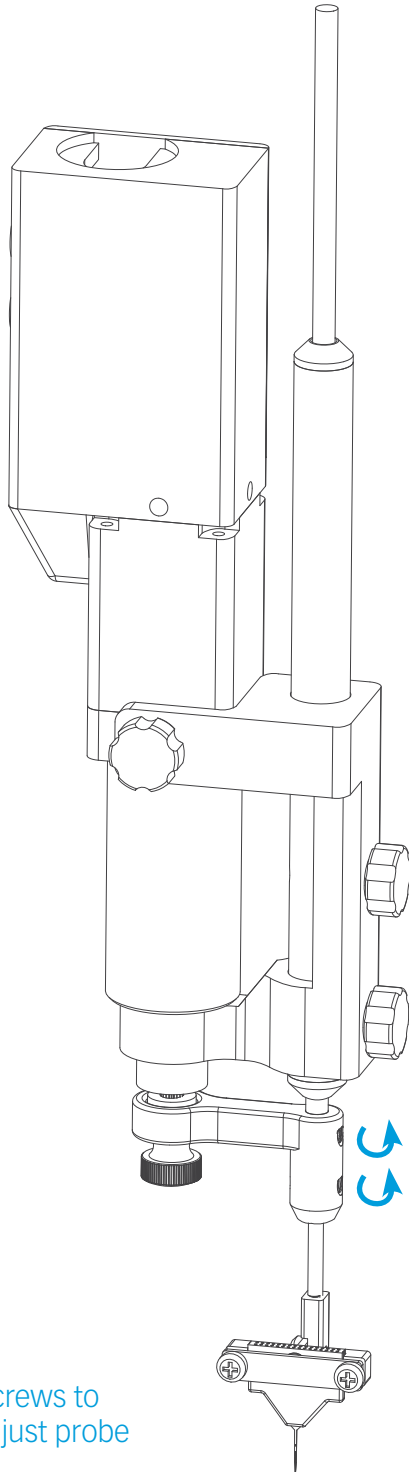
5



6

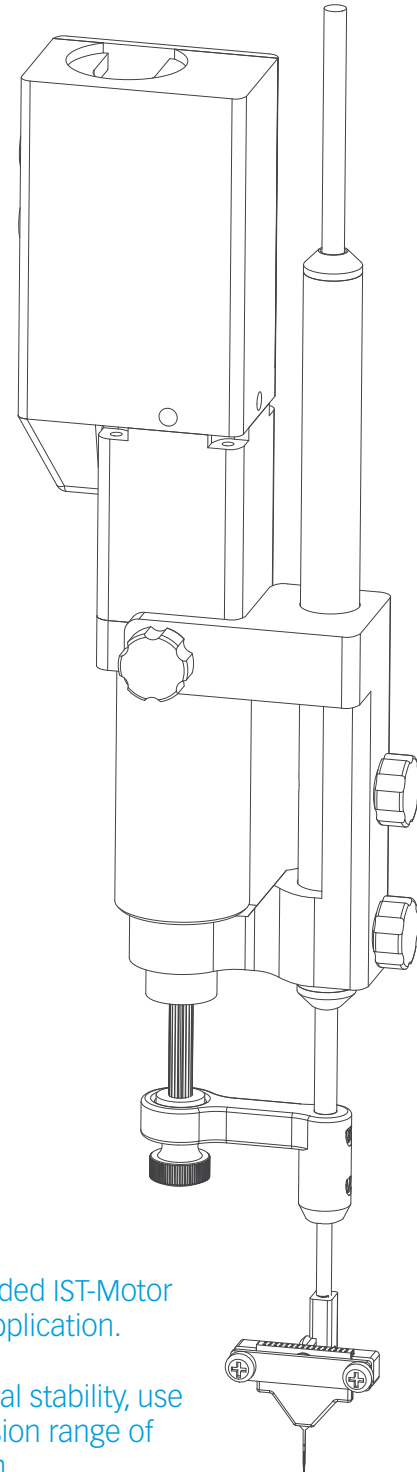


7



Loosen set screws to rotate and adjust probe orientation.

8



Use provided IST-Motor control application.

For optimal stability, use an extension range of 0 - 20 mm.