

IST-nDrive

User Manual

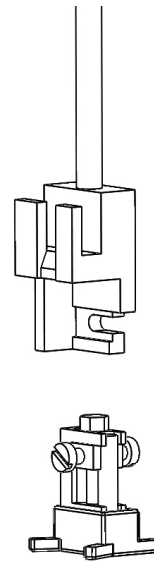
Updated February 27, 2014

IST-nDrive

This user manual will show you how to prepare your probe and nDrive for implantation.

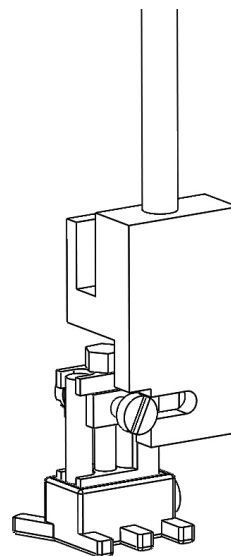
Step 1

Prepare the nDrive, nDrive base, and IST-nDrive. Do not attach the probe or probe mount yet.



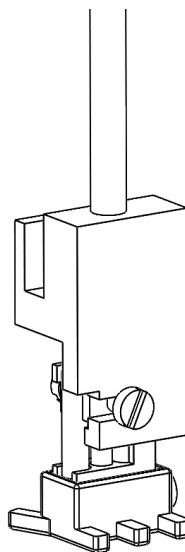
Step 2

Loosen the back screw on the nDrive. Slide the nDrive assembly onto the IST-nDrive.



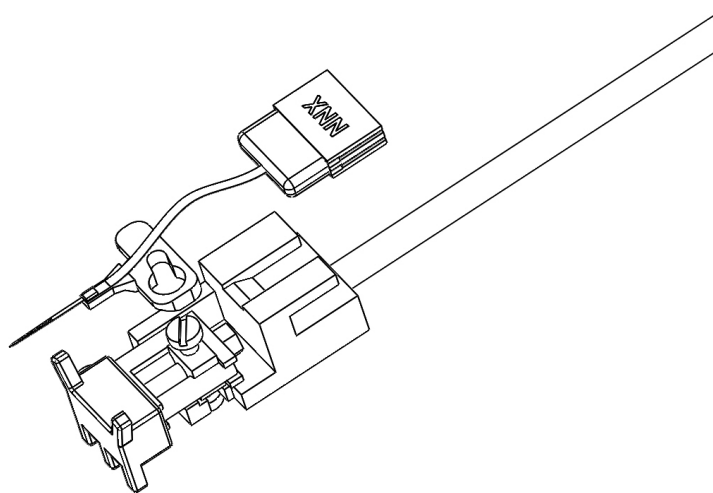
Step 3

Tighten the screw to lock the nDrive onto the IST-nDrive.



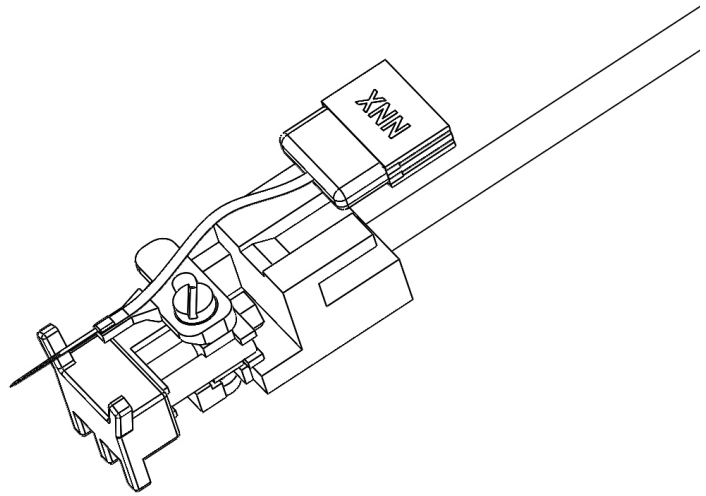
Step 4

Align the probe mount with the front screw.



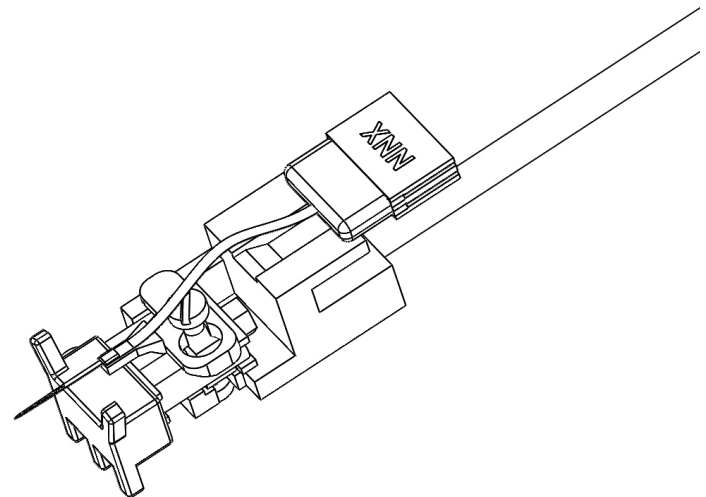
Step 5

Push the front screw through the larger probe mount screwhead opening.



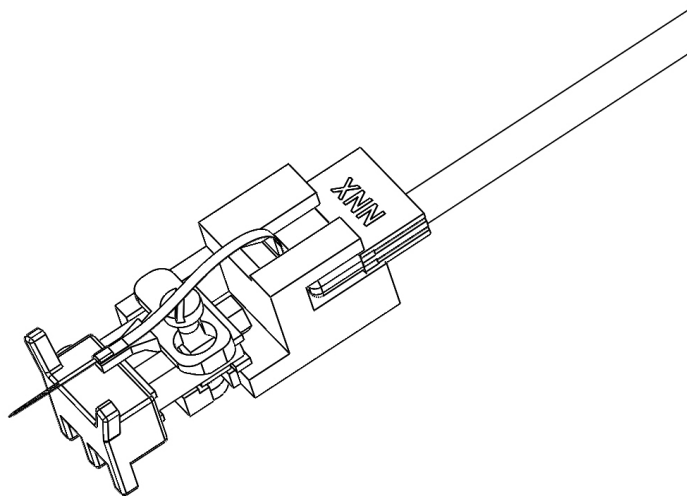
Step 6

Slide the probe mount to the right and tighten the screw to lock it in place.



Step 7

Place the probe connector into the connector bracket.

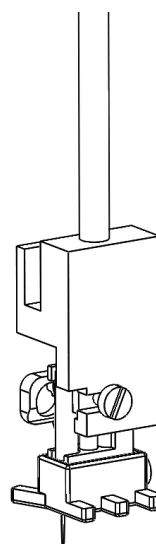


Step 8

Mount the IST-nDrive on a stereotaxic frame.

Perform insertion at target location. Cement the nDrive base once initial insertion has been performed.

NOTE: Apply cement to only the nDrive base, leaving room to access the screw to release the nDrive unit after the experiment.



Step 9

Once the nDrive base has been cemented, loosen the back screw and carefully slide the IST-nDrive away.

