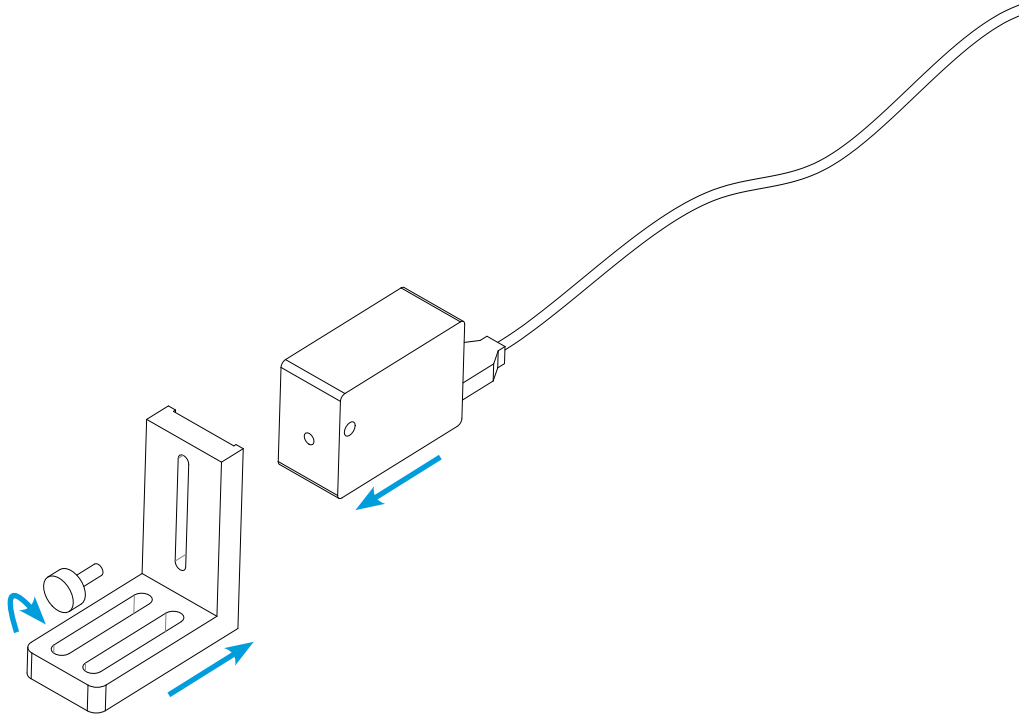


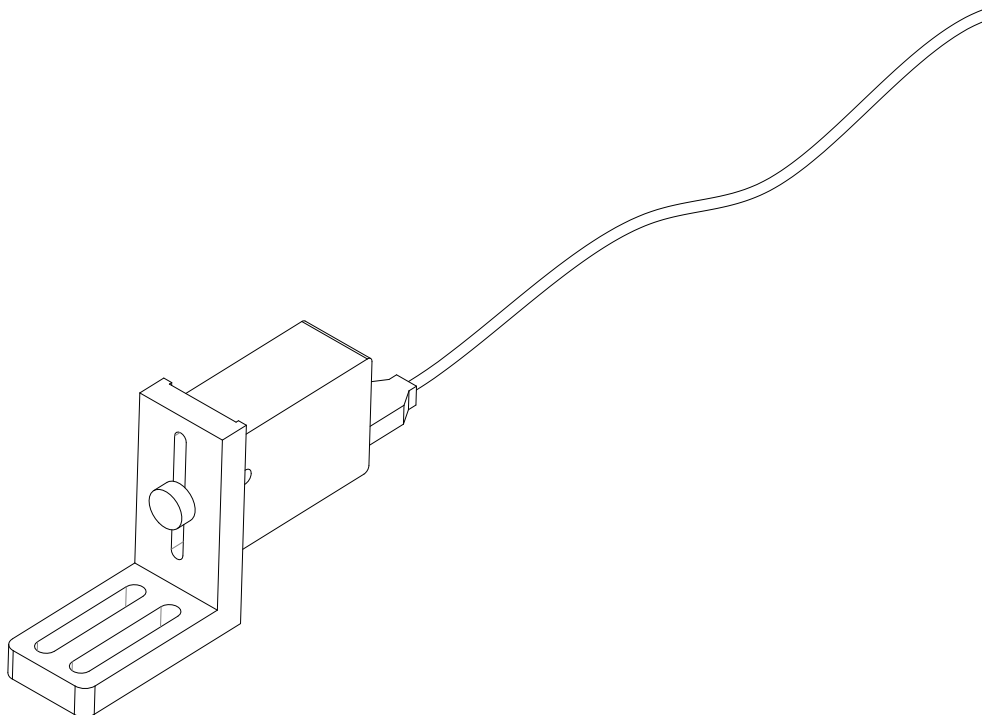
Laser Accessories Instructions

Updated April 9, 2015

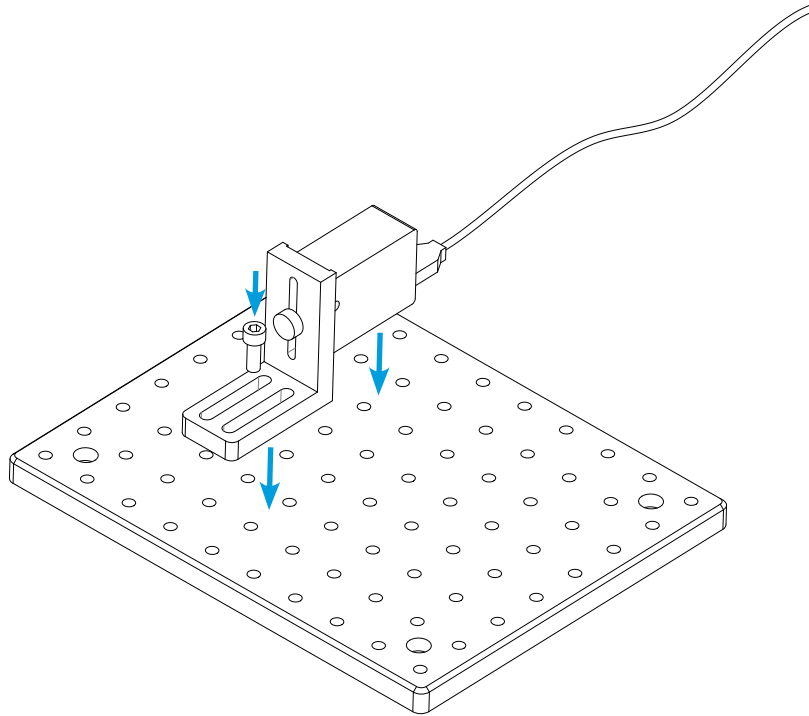
1



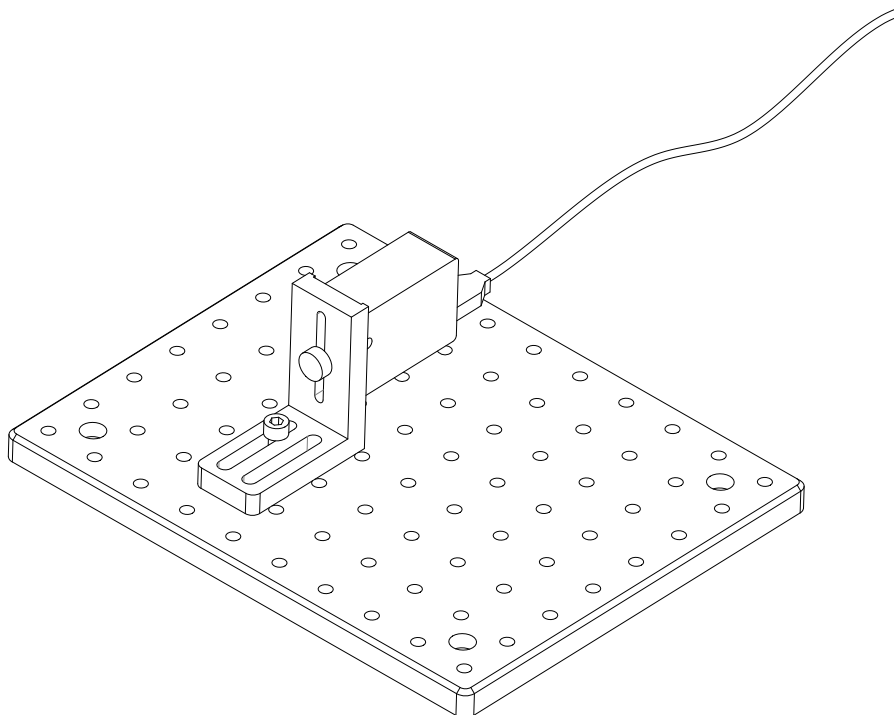
2



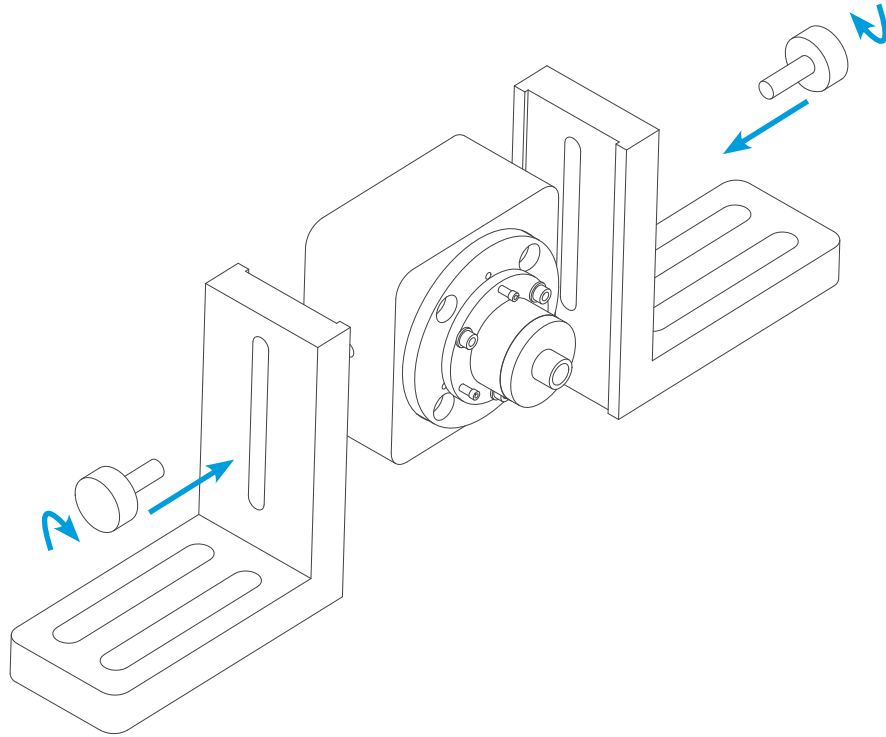
3



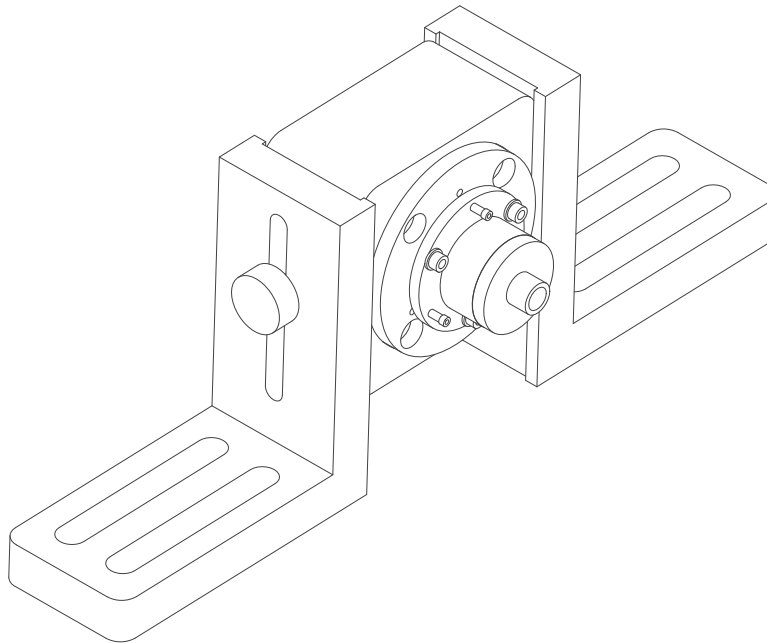
4



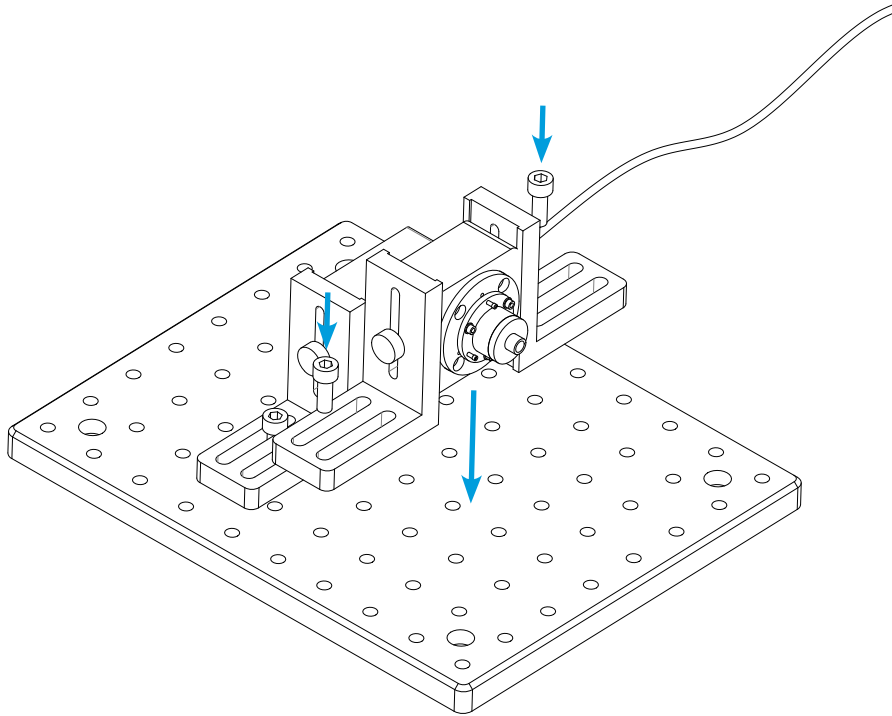
5



6



7

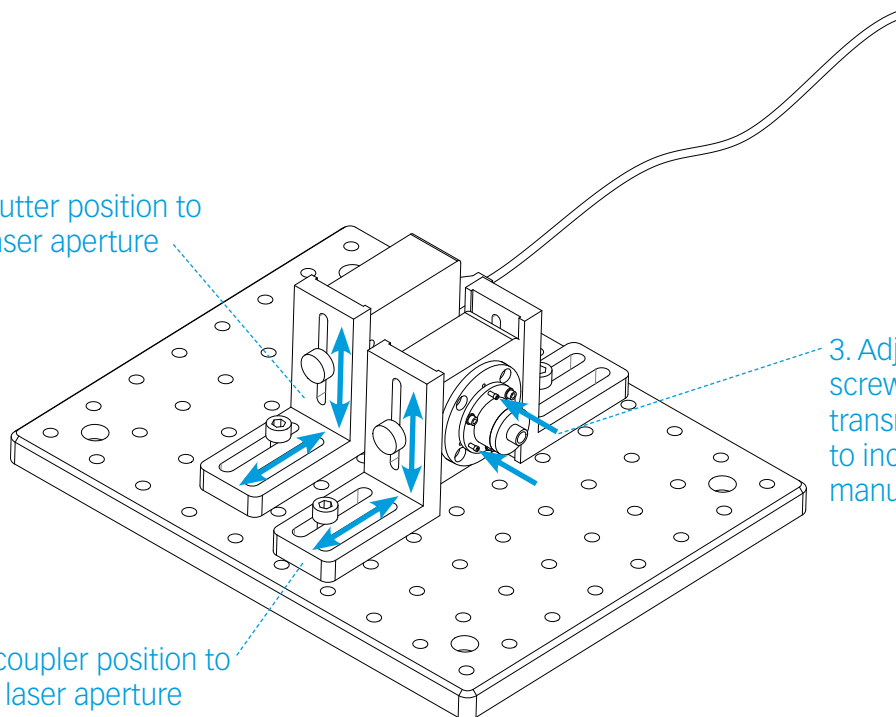


8

1. Adjust shutter position to align with laser aperture

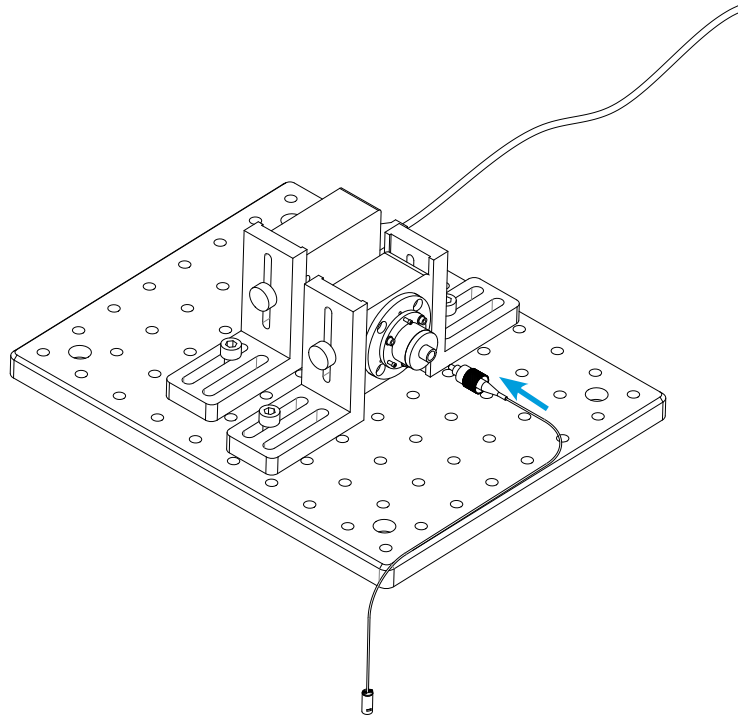
2. Adjust coupler position to align with laser aperture

3. Adjust coupler screws to optimize transmission (Refer to included coupler manual)

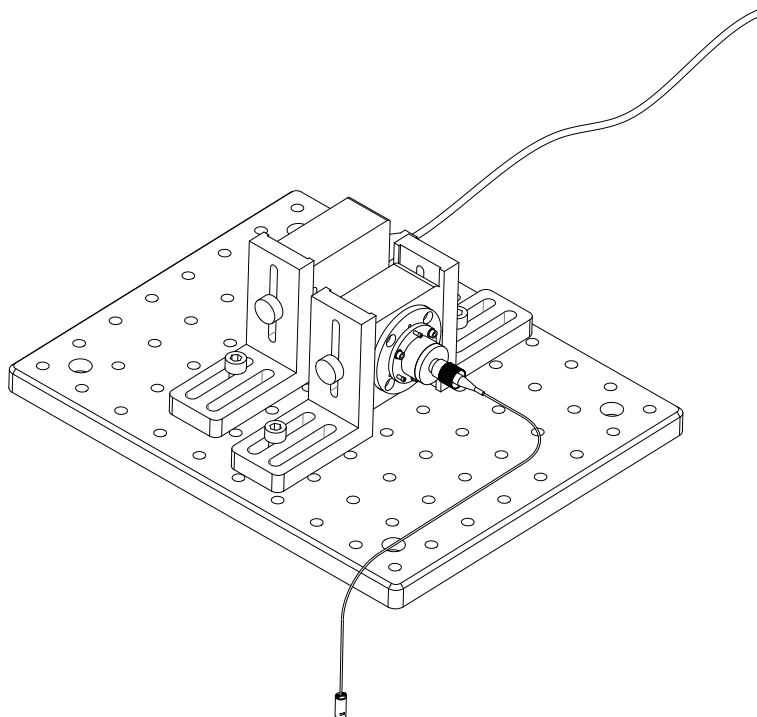


p.5

9



10



p.6